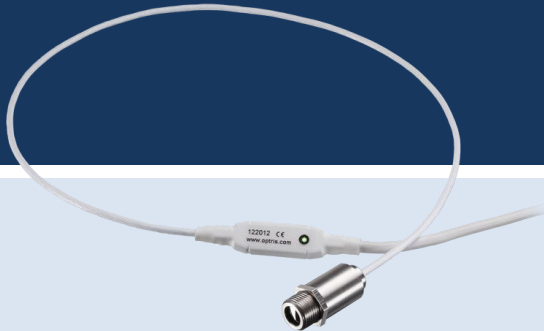


optris® CSmicro

LT/ LTH/ LTHS/ 2M/ 3M

Infrared-thermometer



Optris GmbH

Ferdinand-Buisson-Str. 14
13127 Berlin
Germany

Tel.: +49 30 500 197-0
Fax: +49 30 500 197-10

E-mail: info@optris.global
Internet: www.optris.global



Table of Contents

| | |
|--------------------------------------|-----------|
| Table of Contents | 3 |
| 1 General Information | 7 |
| 1.1 Description | 7 |
| 1.2 Warranty | 8 |
| 1.3 Scope of Supply | 8 |
| 1.4 Maintenance | 9 |
| 1.5 Model Overview | 10 |
| 1.6 Factory Default Settings | 11 |
| 2 Technical Data | 15 |
| 2.1 General Specifications | 15 |
| 2.2 Electrical Specifications | 17 |
| 2.3 Pin Configuration | 19 |
| 2.4 Measurement Specifications | 20 |

| | | |
|----------|--|-----------|
| 2.5 | Optical Charts..... | 23 |
| 2.6 | CF Lens and Protective Window..... | 33 |
| 3 | LED Functions..... | 35 |
| 3.1 | Automatic Aiming Support..... | 35 |
| 3.2 | Self Diagnostic | 36 |
| 3.3 | Temperature Code Indication..... | 37 |
| 4 | Mechanical Installation..... | 38 |
| 4.1 | Mounting Accessories [LT/ 2M/ 3M]..... | 39 |
| 4.2 | Mounting Accessories [LT15HS]..... | 40 |
| 4.3 | Air Purge Collars [LT/ 2M/ 3M]..... | 41 |
| 4.4 | Air Purge Collar [LT15HS]..... | 42 |
| 4.5 | Further Accessories | 43 |
| 5 | Electrical Installation | 45 |
| 5.1 | Analog Mode | 45 |

| | |
|---|-----------|
| Table of Contents | 5 |
| 5.2 Maximum Loop Impedance [CSMA models]..... | 48 |
| 5.3 Digital Mode | 49 |
| 5.4 Alarm Output | 51 |
| 6 IRmobile app..... | 52 |
| 7 Software CompactConnect | 54 |
| 7.1 Installation | 54 |
| 7.2 Communication Settings | 55 |
| 8 Basics of Infrared Thermometry..... | 56 |
| 9 Emissivity | 57 |
| 9.1 Definition..... | 57 |
| 9.2 Determination of unknown Emissivity | 57 |
| 9.3 Characteristic Emissivity | 58 |
| Appendix A – Emissivity Table Metals | 59 |
| Appendix B – Emissivity Table Non Metals | 61 |

| | |
|---|-----------|
| Appendix C – Smart Averaging | 62 |
| Appendix D – Direct Connection to an RS232 Interface | 63 |
| Appendix E – Declarations of Conformity..... | 64 |

1 General Information

1.1 Description

Thank you for choosing the **optris® CSmicro** infrared thermometer.

The sensors of the optris CSmicro series are noncontact infrared thermometers.

They calculate the surface temperature based on the emitted infrared energy of objects

[► 8 Basics of Infrared Thermometry].

The sensor housing of the optris CSmicro is made of stainless steel (IP65/ NEMA-4 rating) – the sensor electronics is integrated inside the connection cable.



The CSmicro sensing head is a sensitive optical system. Please use only the thread for mechanical installation.



- Avoid abrupt changes of the ambient temperature.
- Avoid mechanical violence on the head – this may destroy the system (expiry of warranty).
- If you have any problems or questions, please contact our service department.



Read the manual carefully before the initial start-up. The producer reserves the right to change the herein described specifications in case of technical advance of the product.



► All accessories can be ordered according to the referred part numbers in brackets [].

1.2 Warranty

Each single product passes through a quality process. Nevertheless, if failures occur please contact the customer service at once. The warranty period covers 24 months starting on the delivery date. After the warranty is expired the manufacturer guarantees additional 6 months warranty for all repaired or substituted product components. Warranty does not apply to damages, which result from misuse or neglect. The warranty also expires if you open the product. The manufacturer is not liable for consequential damage or in case of a non-intended use of the product.

If a failure occurs during the warranty period the product will be replaced, calibrated or repaired without further charges. The freight costs will be paid by the sender. The manufacturer reserves the right to exchange components of the product instead of repairing it. If the failure results from misuse or neglect the user has to pay for the repair. In that case you may ask for a cost estimate beforehand.

1.3 Scope of Supply

- CSmicro incl. connection cable
- Mounting nut
- Isolated mounting bracket (only included for LTH devices)
- Operators manual

1.4 Maintenance

Lens cleaning: Blow off loose particles using clean compressed air. The lens surface can be cleaned with a soft, humid tissue (moistened with water) or a lens cleaner (e.g. Purosol or B+W Lens Cleaner).



Never use cleaning compounds which contain solvents (neither for the lens nor for the housing).

1.5 Model Overview

The sensors of the CSmicro series (CSMV and CSMA) are available in the following versions:

| Series | Model | Measurement range | Spectral response | Output | Optics | Specialty |
|--------|-------|-------------------|-------------------|---|--------|------------------------------|
| LT | LT02 | -50 to 1030 °C | 8-14 µm | 0/5-10 V (CSMV) or 4-20 mA (CSMA) | 2:1 | T _{amb} max. 180 °C |
| | LT15 | | | | 15:1 | |
| | LT15H | | | | 22:1 | |
| | LT22H | | | | 15:1 | |
| | LT HS | -20 to 150 °C | | | | |
| 2M | 2ML | 250 to 800 °C | 1,6 µm | | 40:1 | |
| | 2MH | 385 to 1600 °C | | | 75:1 | |
| 3M | 3ML | 50 to 350 °C | 2,3 µm | | 22:1 | |
| | 3MH | 100 to 600 °C | | | 33:1 | |

1.6 Factory Default Settings

The units have the following presetting at time of delivery:

| CSmicro | LT02 | LT15 | LT15HS | LT15H | LT22H |
|-----------------------------|---|------|----------------------|------------|-------|
| Temperature range: | 0...350 °C | | -20...150 °C | 0...500 °C | |
| Output: | 0...3,5 V or 4...20 mA | | 0...5 V or 4...20 mA | | |
| Emissivity: | 0,950 | | | | |
| Transmission: | 1,000 | | | | |
| Average time: | 0,3 s | | | | |
| Smart Averaging: | active | | | | |
| Smart Averaging hysteresis: | 2 °C | | | | |
| Ambient temperature source: | internal (head) | | | | |
| Status-LED function: | Self diagnostic | | | | |
| Input (IN/ OUT/ green): | Inactive (mV version) or Communication input (mA version) | | | | |
| Output (OUT/ yellow): | mV output (mV version) or Communication output (mA version) | | | | |
| Vcc adjust: | inactive | | | | |
| Signal processing: | Hold mode: off | | | | |
| Calibration: | Gain 1,000/ Offset 0,0 | | | | |
| Failsafe: | inactive | | | | |

| CSmicro | 2ML | 2MH | 3ML | 3MH |
|-----------------------------|---|---------------|-------------|--------------|
| Temperature range: | 250...800 °C | 385...1600 °C | 50...350 °C | 100...600 °C |
| Output: | 0...10 V or 4...20 mA | | | |
| Emissivity: | 0,950 | | | |
| Transmission: | 1,000 | | | |
| Average time: | 0,3 s | | | |
| Smart Averaging: | active | | | |
| Smart Averaging hysteresis: | 2 °C | | | |
| Ambient temperature source: | internal (head) | | | |
| Status-LED function: | Self diagnostic | | | |
| Input (IN/ OUT/ green): | Inactive (mV version) or Communication input (mA version) | | | |
| Output (OUT/ yellow): | mV output (mV version) or Communication output (mA version) | | | |
| Vcc adjust: | inactive | | | |
| Signal processing: | Hold mode: off | | | |
| Calibration: | Gain 1,000/ Offset 0,0 | | | |
| Failsafe: | inactive | | | |



Smart Averaging means a dynamic average adaptation at high signal edges.
 [Activation via software only]. ► **Appendix C – Smart Averaging**

For a usage of the CSmicro LT (mV version) for online maintenance applications (in electrical cabinets e.g.) the following recommend settings are already included in the factory default setting (but not active):

| | | |
|-------------|---|--|
| OUT | At 3-state output the following settings are default: | |
| | Pre-alarm difference: | 2 °C |
| | No alarm level: | 8 V |
| | Pre-alarm level: | 5 V |
| | Alarm level: | 0 V |
| | Service voltage: | 10 V |
| IN/ OUT: | At Alarm output (open collector) the following settings are default: | |
| | Mode: | normally closed |
| | Temp code output: | activated (for values above alarm level) |
| | Range settings: | 0 °C = 0 %/ 100 °C = 100 % |
| Vcc adjust: | If activated the following settings are default: | |
| | Output voltage range: | 0 - 10 V |
| | Difference mode: | activated |

Vcc adjust:

| Alarm level | Alarm value (IN/ OUT pin) | Vcc |
|-------------|---------------------------|------|
| 1 | 40 °C | 11 V |
| 2 | 45 °C | 12 V |
| 3 | 50 °C | 13 V |
| 4 | 55 °C | 14 V |
| 5 | 60 °C | 15 V |
| 6 | 65 °C | 16 V |
| 7 | 70 °C | 17 V |
| 8 | 75 °C | 18 V |
| 9 | 80 °C | 19 V |
| 10 | 85 °C | 20 V |

2 Technical Data

2.1 General Specifications

| | |
|----------------------|--|
| Environmental rating | IP65 (NEMA-4) |
| Ambient temperature | Sensing head: see: Measurement Specifications Electronics (inside cable): -20...80 °C [CSMV] -20...75 °C ¹⁾ [CSMA] |
| Storage temperature | -40...85 °C |
| Relative humidity | 10...95 %, non condensing |
| Material | Stainless steel |
| Dimensions | 28 mm x 14 mm (head) [LT/ 2M/ 3M] 32 mm x 14 mm (head) [3M CF1] 55 mm x 29,5 mm (head incl. massive housing) [LT15HS] 35 mm x 12 mm (electronics) |
| Weight | 42 g [LT/ 2M/ 3M] 200 g [LT15HS] |
| Cable length | head – electronics: 0,5 m (standard), 3 m, 6 m [LT/ 2M/ 3M ²⁾ after electronics: 0,5 m (standard), 3 m, [LT/ 2M/ 3M] head – electronics: 0,5 m [LT15HS] after electronics: 0,5 m (standard), 3 m, 6 m [LT15HS] |
| Cable diameter | 2,8 mm (head – electronics) 4,3 mm (electronics – end of cable) |
| Vibration | IEC 60068-2-6 / -64 |

| | |
|----------------------------|------------------------------|
| Shock | IEC 60068-2-27 (25G and 50G) |
| Pressure resistance (head) | 8 bar |
| Software | optional |

¹⁾ for Vcc (supply voltage) 5-12 VDC/ at Vcc > 12 VDC the max. ambient temperature of the electronics is 65 °C

²⁾ 6 m cable length not available for 3M version

2.2 Electrical Specifications

| Used Pin | | Function | CSMV | CSMA |
|-------------------|---------|------------------------------|--|--|
| OUT | IN/ OUT | | | |
| x | | Analog | 0-5 V ¹⁾ or 0-10 V ²⁾ / scalable | 4-20 mA/ scalable (current loop between Power and GND pin) |
| x | | Alarm | output voltage adjustable; N/O or N/C | output current adjustable; N/O or N/C (current loop between Power and GND pin) |
| x | | Alarm | 3-state alarm output (three voltage level for no alarm, pre-alarm, alarm) | - |
| | x | Alarm | programmable open collector output (NPN type) [0-30 V DC/ 50 mA] ⁴⁾ | programmable open collector (NPN type) [0-30 V DC/ 500 mA] |
| | x | Temp. Code | Temp. Code Output (open collector (NPN type)) [0-30 V DC/ 50 mA] ⁴⁾ | Temp. Code Output (open collector (NPN type)) [0-30 V DC/ 500 mA] |
| | x | Input | programmable functions: <ul style="list-style-type: none"> • external emissivity adjustment • ambient temperature compensation • triggered signal output and peak hold function ⁵⁾ • Reset of hold function ⁶⁾ | programmable functions: <ul style="list-style-type: none"> • triggered signal output and peak hold function ⁵⁾ • Reset of hold function ⁷⁾ |
| x | x | Serial digital ³⁾ | uni- (burst mode) or bidirectional | uni- (burst mode) or bidirectional |
| Output impedances | | | min. 10 kΩ load impedance | max. 1 kΩ loop impedance |

| | | |
|-----------------|---|------------|
| Current draw | 9 mA | 4-20 mA |
| Power supply | 5...30 VDC | 5...30 VDC |
| Status-LED | green LED with programmable functions: <ul style="list-style-type: none"> • alarm indication (threshold independent from alarm outputs) • automatic aiming support • self diagnostics • temperature code indication | |
| Vcc adjust mode | 10 adjustable emissivity and alarm values by variation of supply voltage/ Service mode for analog output [LT only] | |

¹⁾ 0...4,6 V at supply voltage 5 VDC; also valid for alarm output

²⁾ only at supply voltage ≥ 11 V

³⁾ inverted RS232, TTL, 9,6 kBaud

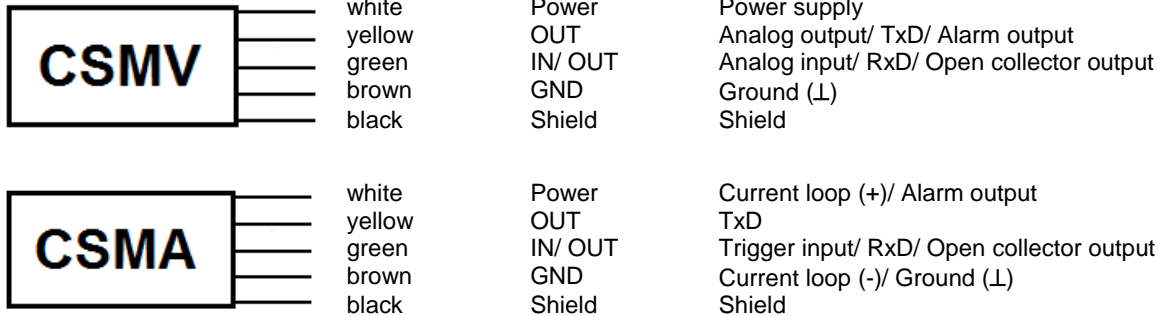
⁴⁾ 500 mA if the mV output is not used

⁵⁾ High level: $> 0,8$ V / Low level: $< 0,8$ V

⁶⁾ Reset of peak or valley hold by High level at IN/ OUT pin (Low: open or GND / High: $>2,4$ V...11 V)

⁷⁾ Reset of peak or valley hold by Low level at IN/ OUT pin (Low: GND / High: open or >1 V...11 V)

2.3 Pin Configuration



You will find a detailed description of the different sensor connections in chapter ► **5 Electrical Installation**.

2.4 Measurement Specifications

| | LT02/ LT15 | LT15H/LT22H | LT15HS |
|--|---|---------------------------------|---------------------|
| Temperature range IR (scalable via software) | -50...1030 °C | | -20...150 °C |
| Ambient temperature (sensing head) | -20...120 °C | -20...180 °C | --20...75 °C |
| Spectral range | 8...14 µm | | |
| Optical resolution | 2:1/ 15:1 | 15:1/ 22:1 | 15:1 |
| CF-lens (optional) | 2,5 mm@ 23 mm/ 0,8 mm@ 10 mm | 0,8 mm@ 10 mm/ 0,6 mm@ 10 mm | 0,8 mm@ 10 mm |
| Accuracy ^{1),2)} | ±1,0 °C or ±1,0 % | | |
| Repeatability ^{1),2)} | ±0,5 °C or ±0,5 % | | ±0,3 °C or ±0,3 % |
| Temperature coefficient ³⁾ | ±0,05 K/ K or ±0,05 %/ K (whichever is greater) | | |
| NETD | 50 mK ⁴⁾ | | 25 mK ⁵⁾ |
| Response time | 14 ms (90 % signal) | 150 ms (90 % signal) | |
| Warm-up time | 10 min | | |
| Emissivity/ Gain | 0,100...1,100 (adjustable via software) | | |
| Transmissivity | 0,100...1,100 (adjustable via software) | | |
| Interface (optional) | USB (programming interface) | | |
| Signal processing | Average, Peak hold, Valley hold (adjustable via software) | | |

¹⁾ at ambient temperature 23±5 °C, whichever is greater; Epsilon = 1; Response time 1 s

²⁾ at object temperatures > 23 °C

³⁾ for ambient temperatures <18 °C and >28 °C

⁴⁾ T_{Object} = 200 °C, response time 200 ms

⁵⁾ T_{Object} = 20 °C, response time 150 ms

| | 2ML | 2MH |
|--|---|---------------------|
| Temperature range IR (scalable via software) | 250...800 °C | 385...1600 °C |
| Ambient temperature (sensing head) | -20...125 °C | |
| Spectral range | 1,6 µm | |
| Optical resolution | 40:1 | 75:1 |
| CF-lens (optional) | 0,4 mm@ 11 mm | 0,2 mm@ 11 mm |
| Accuracy ^{1),2)} | ±(0,3 % of reading + 2 °C) | |
| Repeatability ^{1),2)} | ±(0,1 % of reading + 1 °C) | |
| Temperature coefficient ³⁾ | ±0,05 K/ K or ±0,05 %/ K (whichever is greater) | |
| NETD | 40 mK ⁴⁾ | 50 mK ⁵⁾ |
| Response time (90 % signal) | 8 ms (mV version), 20 ms (mA version) | |
| Warm-up time | - | |
| Emissivity/ Gain | 0,100...1,100 (adjustable via software) | |
| Transmissivity | 0,100...1,100 (adjustable via software) | |
| Interface (optional) | USB (programming interface) | |
| Signal processing | Average, Peak hold, Valley hold (adjustable via software) | |

¹⁾ at ambient temperature 23±5 °C; Epsilon = 1; Response time = 1 s

²⁾ at object temperatures > 450 °C

³⁾ for ambient temperatures <18 °C and >28 °C

⁴⁾ T_{Object} = 500 °C, response time 8 ms

⁵⁾ T_{Object} = 800 °C, response time 8 ms

| | 3ML | 3MH |
|--|---|---------------------|
| Temperature range IR (scalable via software) ¹⁾ | 50...350 °C | 100...600 °C |
| Ambient temperature (sensing head) | -20...85 °C | |
| Spectral range | 2,3 µm | |
| Optical resolution | 22:1 | 33:1 |
| CF optics (built-in) | 5,0 mm@ 110 mm | 3,4 mm@ 110 mm |
| CF1 optics (built-in) | 1,5 mm@ 30 mm | 1,0 mm@ 30 mm |
| Accuracy ²⁾ | ±(0,3 % of reading + 2 °C) | |
| Repeatability ²⁾ | ±(0,1 % of reading + 1 °C) | |
| Temperature coefficient ³⁾ | ±0,05 K/ K or ±0,05 %/ K (whichever is greater) | |
| NETD | 30 mK ⁴⁾ | 50 mK ⁵⁾ |
| Response time (90 % signal) | 8 ms (mV version), 20 ms (mA version) | |
| Warm-up time | - | |
| Emissivity/ Gain | 0,100...1,100 (adjustable via software) | |
| Transmissivity | 0,100...1,100 (adjustable via software) | |
| Interface (optional) | USB (programming interface) | |
| Signal processing | Average, Peak hold, Valley hold (adjustable via software) | |

¹⁾ $T_{\text{Object}} > T_{\text{Head}} + 25 \text{ °C}$

²⁾ at ambient temperature $23 \pm 5 \text{ °C}$, whichever is greater; Epsilon = 1; Response time 1 s

³⁾ for ambient temperatures $< 18 \text{ °C}$ and $> 28 \text{ °C}$

⁴⁾ $T_{\text{Object}} = 150 \text{ °C}$, response time 200 ms

⁵⁾ $T_{\text{Object}} = 300 \text{ °C}$, response time 200 ms

2.5 Optical Charts

The following optical charts show the diameter of the measuring spot in dependence on the distance between measuring object and sensing head. The spot size refers to 90 % of the radiation energy. The distance is always measured from the front edge of the sensor housing/ CF-lens holder/ air purge.

As an alternative to the optical diagrams, the spot size calculator can also be used on the optris website <https://www.optris.global/spot-size-calculator>.



The size of the measuring object and the optical resolution of the infrared thermometer determine the maximum distance between sensing head and measuring object.

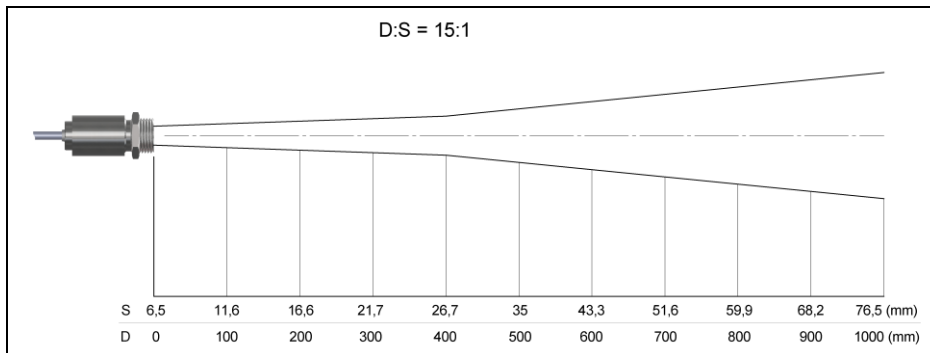
In order to prevent measuring errors the object should fill out the field of view of the optics completely.

Consequently, the spot should at all times have at least **the same size** like the object or should be **smaller than** that.

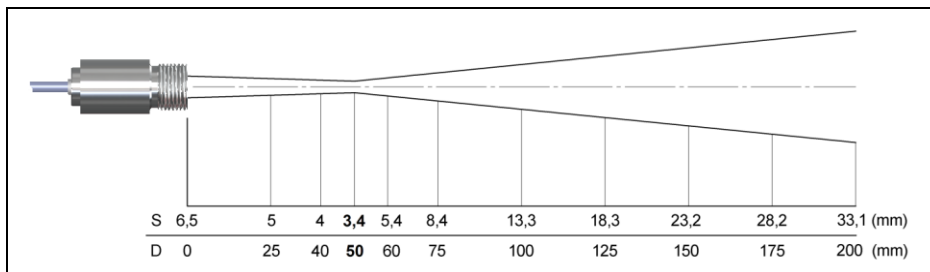
D = Distance from front of the sensing head to the object

S = Spot size

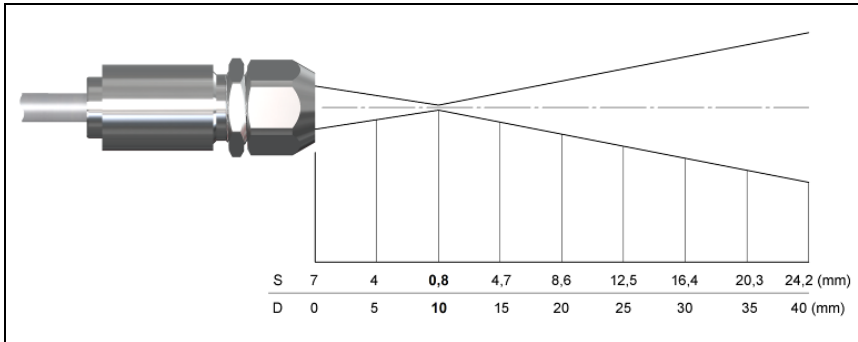
The D:S ratio is valid for the focus point.



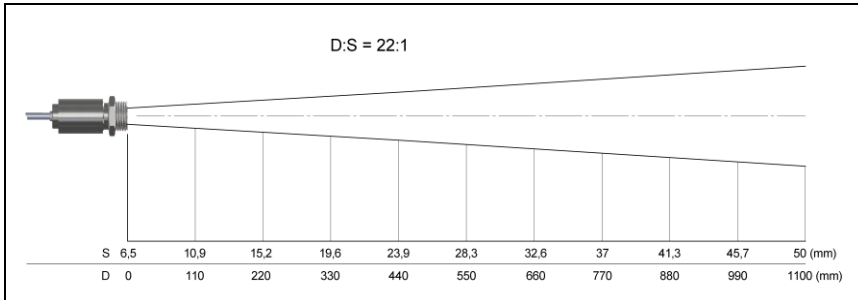
LT15/ LT15H/ LT15HS D:S = 15:1



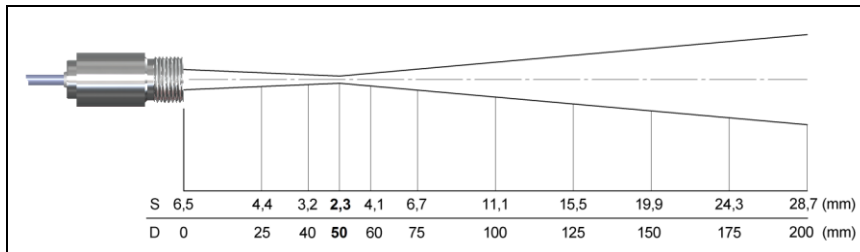
LT15CF/ LT15HCF D:S = 15:1/ D:S Far field = 5:1



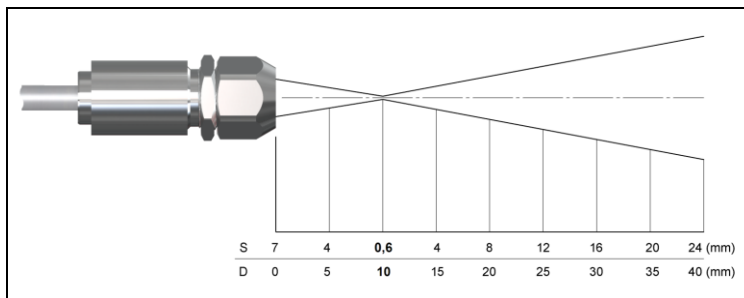
LT15/ LT15H/ LT15HS with CF lens (0,8 mm@ 10 mm)/ D:S Far field = 1,4:1



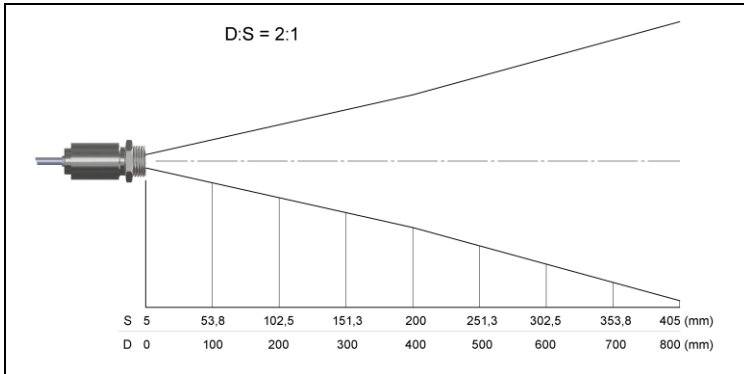
LT22H D:S = 22:1



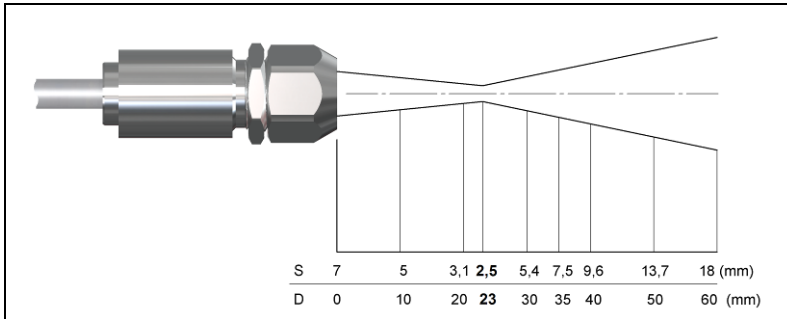
LT22CF/ LT22HCF D:S = 22:1/ D:S Far field = 6:1



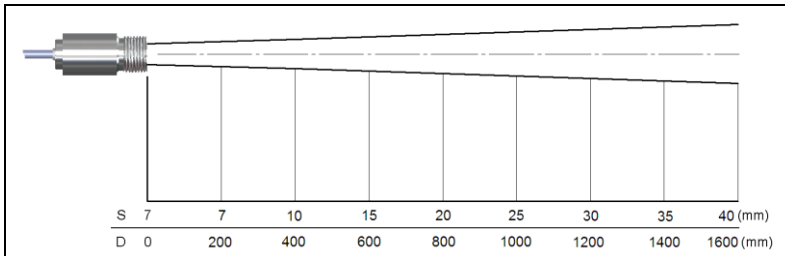
LT22H with CF lens (0,6 mm @ 10 mm)/ D:S Far field = 1,5:1



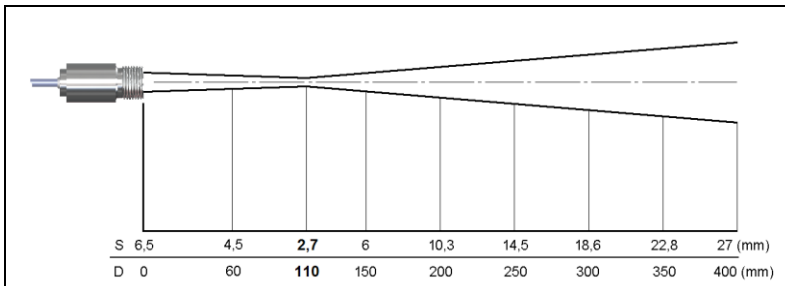
LT02 D:S = 2:1



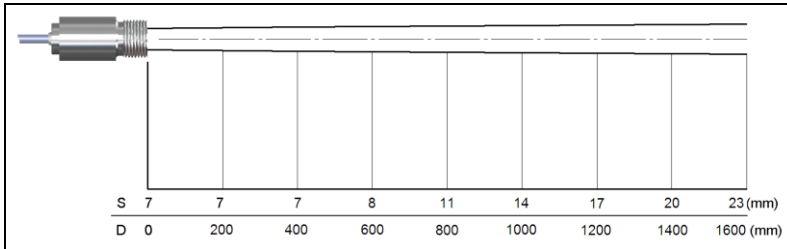
LT02 with CF lens (2,5 mm @ 23 mm)/ D:S Far field = 2,5:1



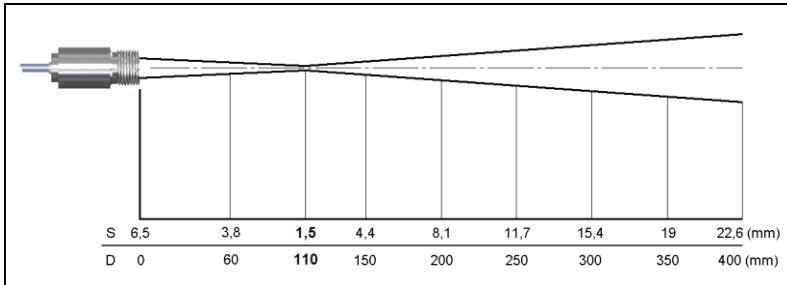
2ML SF D:S = 40:1



2ML CF D:S = 40:1 / D:S Far field = 12:1



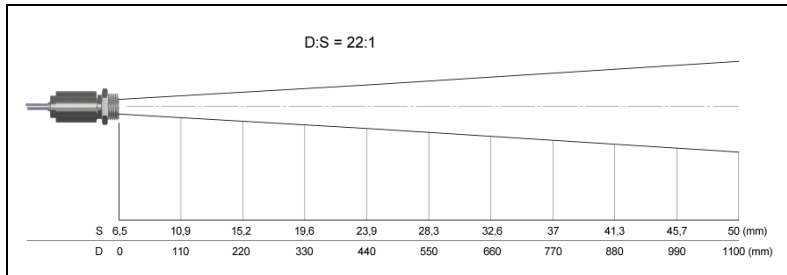
2MH SF D:S = 75:1



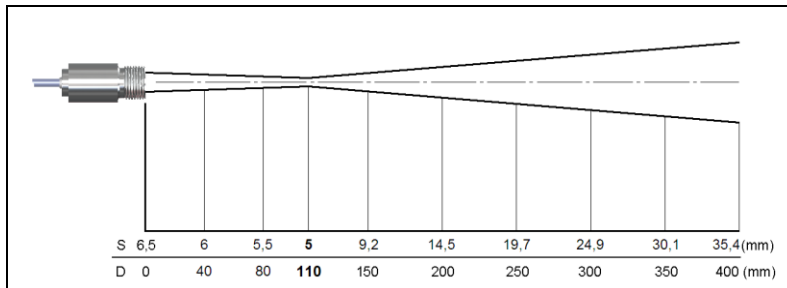
2MH CF D:S = 75:1/ D:S Far field = 14:1



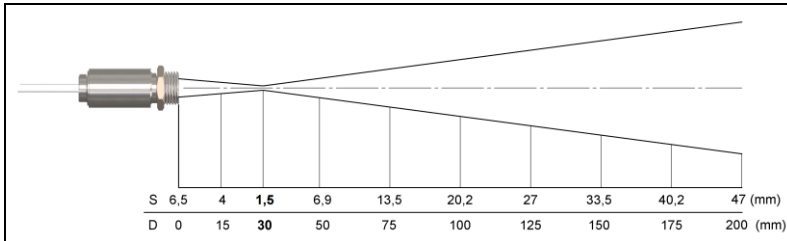
If the CF lens (ACCTCFHT or ACCTCFHTE) is used in connection with 2W2M units (SF or CF optics) the focus is shifted to a distance of 11 mm.



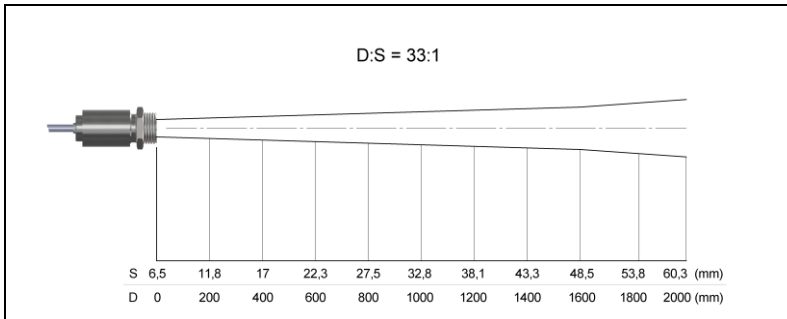
3ML SF D:S = 22:1



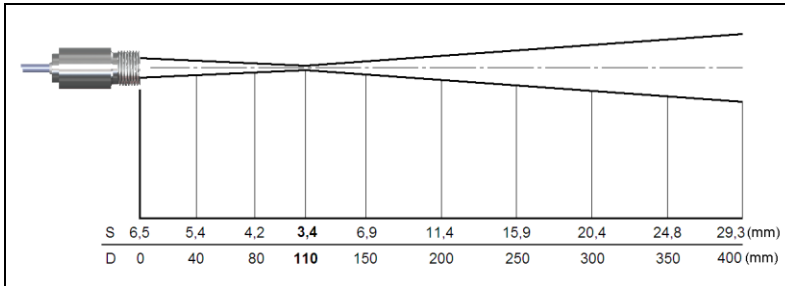
3ML CF D:S = 22:1 / D:S Far field = 9:1



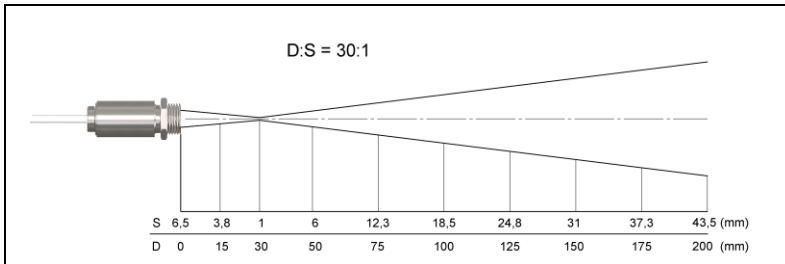
3ML CF1 D:S = 22:1/ D:S Far field = 3,5:1



3MH SF D:S = 33:1



3MH CF D:S = 33:1/ D:S Far field = 11:1



3MH CF1 D:S = 30:1/ D:S Far field = 4:1

2.6 CF Lens and Protective Window

The optional CF lens allows the measurement of very small objects. The minimum spot size depends on the used sensing head. The distance is always measured from the front edge of the CF lens holder or laminar air purge collar. The installation on the sensing head will be done by turning the CF lens until end stop. To combine it with the LT15HS model please use the version with external thread M12x1.

Typical Transmission values* if the CF lens is used (average values):

| | | |
|----|------|----------------------|
| LT | 0,78 | *Deviations possible |
| 2M | 0,87 | |
| 3M | 0,92 | |

Versions Overview:

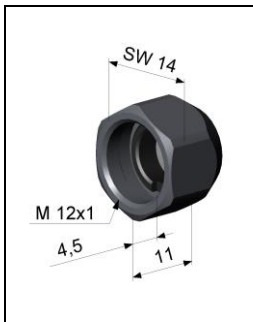
| | |
|-----------|---|
| ACCTCF | CF lens for installation on sensing head [LT] |
| ACCTCFHT | CF lens for installation on sensing head [2M, 3M] |
| ACCTCFE | CF lens with external thread for installation in massive housing [LT] |
| ACCTCFHTE | CF lens with external thread for installation in massive housing [2M, 3M] |

For protection of the sensing head optics a protective window is available. The mechanical dimensions are equal to the CF lens. It is available in the following versions:

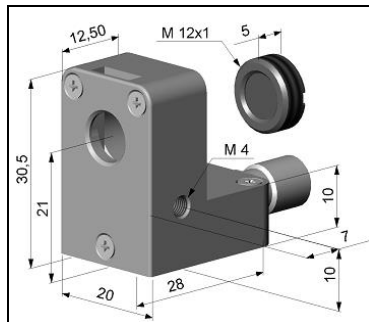
| | |
|------------|---|
| ACCTPW | Protective window for installation on sensing head [LT] |
| ACCTPWHT | Protective window for installation on sensing head [2M, 3M] |
| ACCTPWE | Protective window with external thread for installation in massive housing [LT] |
| ACCTPWHT E | Protective window with external thread for installation in massive housing [2M, 3M] |

Typical Transmission values* if the protective window is used (average values):

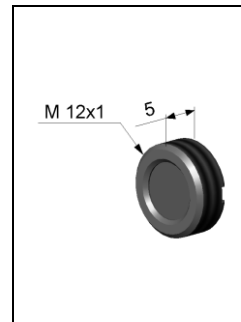
| | | |
|--------|------|----------------------|
| LT | 0,83 | *Deviations possible |
| 2M/ 3M | 0,93 | |



CF lens:
ACCTCF/ ACCTCFHT
Protective window:
ACCTPW/ ACCTPWHT



Laminar air purge with integrated
CF lens:
ACCTAPLCF/ ACCTAPLCFHT



CF lens with external thread:
ACCTCFE/ ACCTCFHTE
Protective window with external
thread:
ACCTPWE/ ACCTPWTE



To change the transmission value the IR app connector (including software) is necessary.

3 LED Functions

The green LED can be programmed for the following functions. For the programming the **USB adapter cable incl. software (option)** is necessary. The factory default setting for the LED is self diagnostic.

| | |
|-----------------------------|---|
| LED Alarm | LED lights up if the object temperature exceeds or deceeds an alarm threshold |
| Automatic aiming support | Sighting feature for an accurate aiming of the CS to hot or cold objects |
| Self-diagnostic | LED is indicating different states of the sensor |
| Temperature Code indication | Indication of the object temperature via the LED |
| Off | LED deactivated |

3.1 Automatic Aiming Support

The automatic aiming support helps to adjust the unit to an object which has a temperature different to the background. If this function is activated via software the sensor is looking for the highest object temperature; means the threshold value for activating the LED will be automatically tuned.

This works also if the sensor is aimed at a new object (with probably colder temperature). After expiration of a certain reset time (default setting: 10 s) the sensor will adjust the threshold level for activation of the LED new.

3.2 Self Diagnostic

With this function the current status of the sensor will be indicated by different flash modes of the LED.

If activated, the LED will show one out of five possible states of the sensor:

| Status | LED mode | |
|------------------------|------------------|----------------|
| Normal | intermittent off | - - - - - |
| Sensor overheated | fast flash | ----- |
| Out of measuring range | double flash | -- -- -- -- -- |
| Not stable | intermittent on | ===== |
| Alarm fault | always on | ===== |

At a supply voltage (V_{cc}) ≥ 12 V it takes about 5 minutes until the sensor works in a stable mode. Therefore, after switching on the unit, the LED will show a not stable state for up to 5 minutes.

- Sensor overheated: The internal temperature probes have detected an invalid high internal temperature of the CSmicro.
- Out of measuring range: The object temperature is out of measuring range.
- Not stable: The internal temperature probes have detected an unequally internal temperature of the CSmicro.
- Alarm fault: Current through the switching transistor of the open-collector output is too high.

3.3 Temperature Code Indication

With this function the current measured object temperature will be indicated as percentage value by long and short flashing of the LED.

At a range setting of 0-100 °C → 0-100 % the LED flashing indicates the temperature in °C.

| | |
|---|-----------|
| Long flashing → first digit: | xx |
| Short flashing → second digit: | xx |
| 10-times long flashing → first digit=0: | 0x |
| 10-times short flashing → second digit=0: | x0 |

Examples

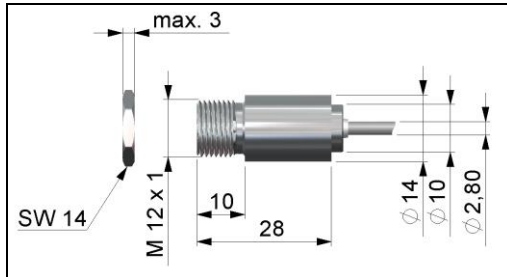
| | | |
|--------------|--|-----------|
| 87 °C | 8-times long flashing indicates | 87 |
| | and afterwards 7-times short flashing indicates | 87 |
| 31 °C | 3-times long flashing indicates | 31 |
| | and afterwards 1-time short flashing indicates | 31 |
| 8 °C | 10-times long flashing indicates | 08 |
| | and afterwards 8-times short flashing indicates | 08 |
| 20 °C | 2-times long flashing indicates | 20 |
| | and afterwards 10-times short flashing indicates | 20 |

4 Mechanical Installation

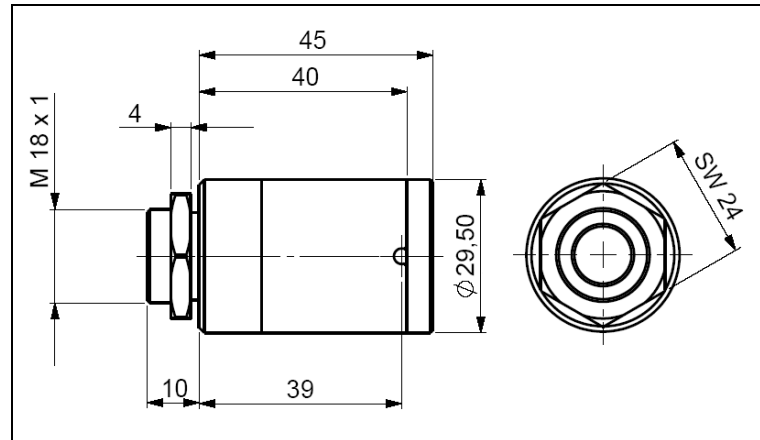
The CSmicro is equipped with a metric M12x1 thread and can be installed either directly via the sensor thread or with the help of the hex nut (standard) to the mounting bracket available. The CSmicro LT15HS will be delivered with the massive housing and can be installed via the M18x1-thread.



The sensors CSmicro are sensitive optical systems. Please use only the thread for mechanical installation. Avoid mechanical violence on the head – this may destroy the system (expiry of warranty).



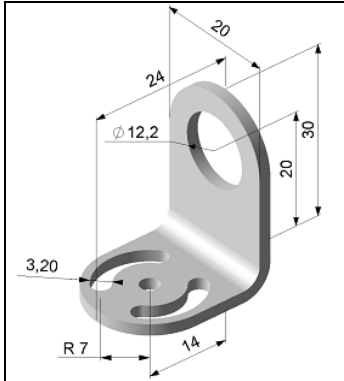
Sensing head [LT/ 2M/ 3M] ¹⁾



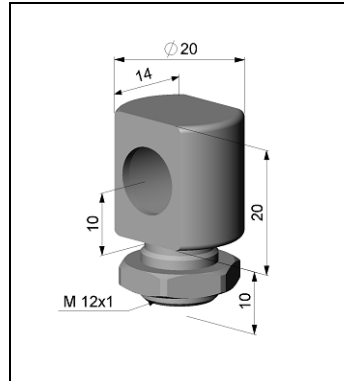
Sensing head [LTHS15]

¹⁾ On the 3MxCF1 model the total length of the sensing head is 32 mm instead of 28 mm.

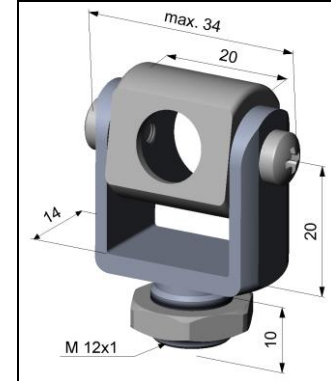
4.1 Mounting Accessories [LT/ 2M/ 3M]



Mounting bracket, adjustable in one axis [ACCTFB]



Mounting bolt with M12x1 thread, adjustable in one axis [ACCTMB]



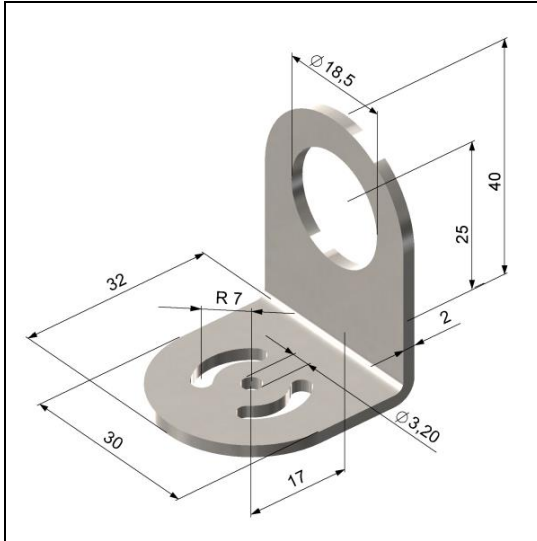
Mounting fork with M12x1 thread, adjustable in 2 axes [ACCTMG]



Mounting bracket, adjustable in two axes [ACCTAB]

The **Mounting fork** can be combined with the **Mounting bracket [ACCTFB]** using the M12x1 thread.

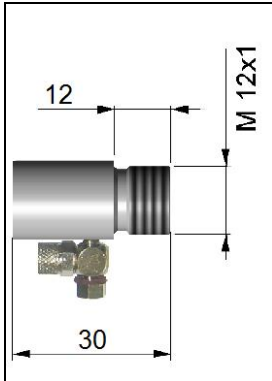
4.2 Mounting Accessories [LT15HS]



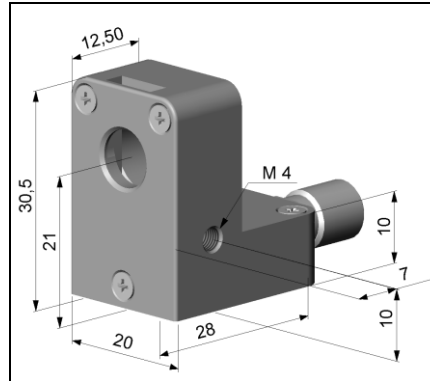
Mounting bracket, adjustable in one axis for LT15HS [ACCTFBMH]

4.3 Air Purge Collars [LT/ 2M/ 3M]

The lens must be kept clean at all times from dust, smoke, fumes and other contaminants in order to avoid reading errors. These effects can be reduced by using an air purge collar. Make sure to use oil-free, technically clean air only.



Standard air purge collar;
fits to the mounting bracket;
hose connection: 3x5 mm
[ACCSAP]/ for heads with a
D:S ratio $\geq 10:1$



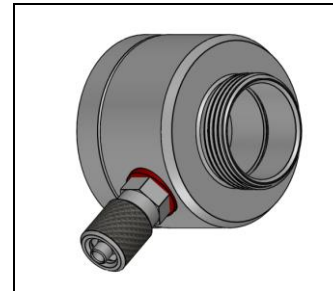
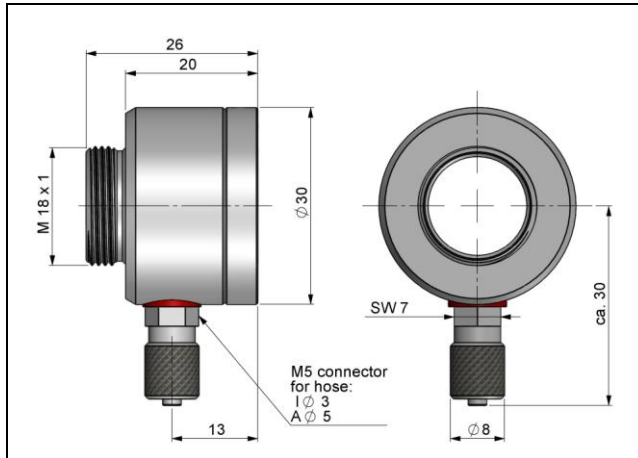
**Laminar air purge collar – the sideward
air outlet prevents a cooling down of the object
in short distances; hose connection: 3x5 mm
[ACCTAPL]**



A combination of the
Laminar air purge collar
with the bottom section of
the **Mounting fork** allows
an adjustment in two axes.
[ACCTAPL+ACCTMG]

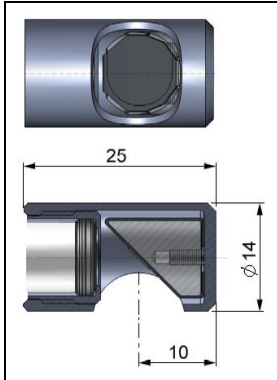
The needed amount of air (approx. 2...10 l/ min.) depends on the application and the installation conditions on-site.

4.4 Air Purge Collar [LT15HS]



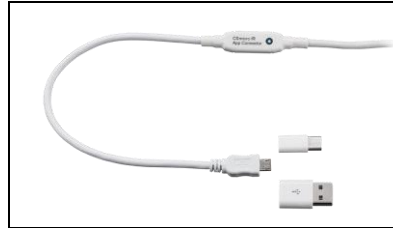
Air purge collar for LT15HS head [ACCTAPMH]

4.5 Further Accessories



**Right angle mirror
enables measurement
with 90° angle
[ACCTRAM]**

For optics with a D:S ≥ 10:1



**IR app connector: USB programming adaptor incl. terminal block
[ACCSMIAC]**



The mirror has a reflexion of 96% * in combination with LT model heads.
If the mirror is used this value has to be multiplied by the emissivity value of the measurement object.

Example: LT15 and object with emissivity = 0,85

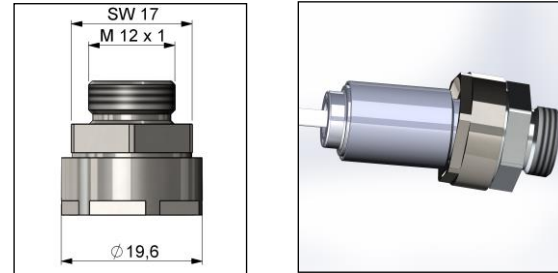
$0,85 \times 0,96 = 0,816$

Thus the emissivity in the CSmicro has to be set to the resulting value of 0,816.

*Deviations possible

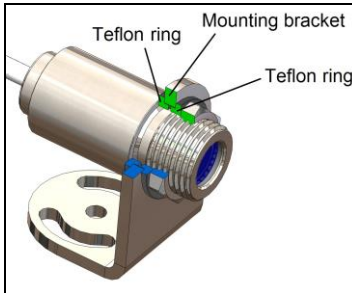
Tilt Assembly

With this mounting accessory a fine adjustment of the CS with an off-axis angle $\pm 6,5^\circ$ is possible.



Tilt assembly [ACCTAS]

Isolated mounting bracket



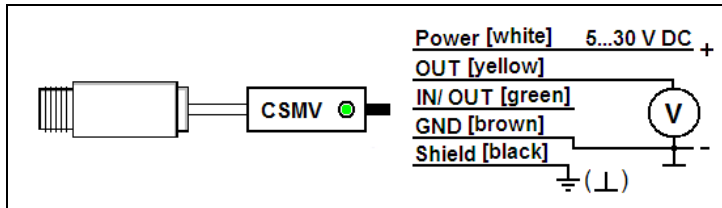
Isolated mounting bracket [ACCSMLTHFB]

► All accessories can be ordered using the according part numbers in brackets [].

5 Electrical Installation

5.1 Analog Mode

CSmicro as analog device (mV output on OUT pin)



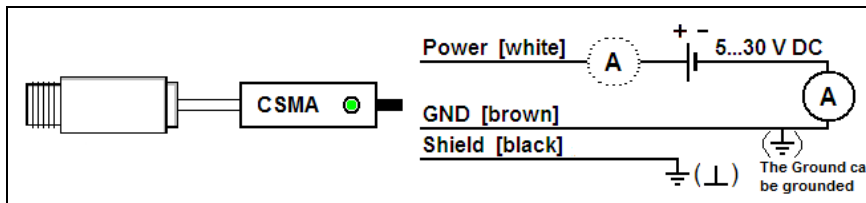
The output impedance must be $\geq 10 \text{ k}\Omega$.

IMPORTANT:

The shield [black] on the CSmicro (exception: CSM LTxxH) is not connected to GND [brown]. It is necessary to connect the shield to ground or GND (whichever works best)!

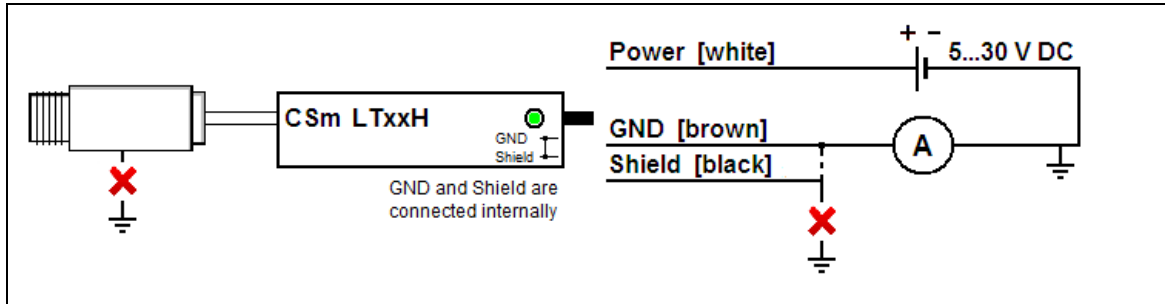
Use a separate, stabilized power supply with an output voltage in the range **5-30 V DC**. The residual ripple of the power supply should be max. **200 mV**. For all power and data lines use shielded cables only.

CSmicro 2W as analog device (mA two-wire-output)



The maximum loop impedance is 1000Ω .

Csmicro LTxxH as analog device (mA two-wire-output) – current measurement in GND- (Loop-) line

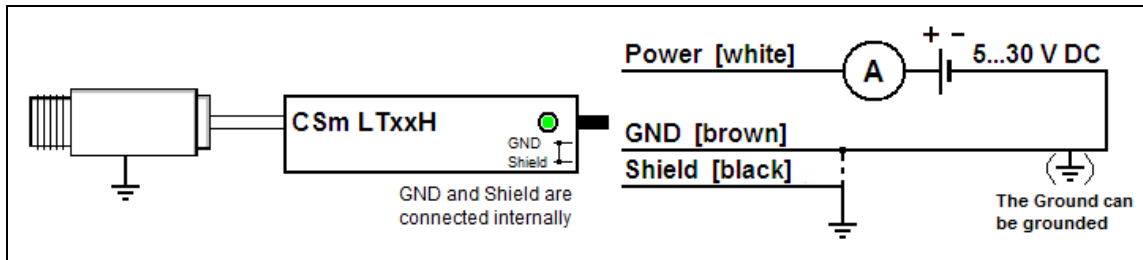


On the models LT15H and LT22H (sensing heads for ambient temperatures up to 180 °C) and on the special versions for 250 °C ambient temperature the GND and Shield is connected inside the electronics.

Special note for current measurement in GND- (Loop-) line:

In this case the sensing head must be installed isolated from ground. **An isolated mounting bracket is included (for LTH)**. A connection of the GND or Shield wire to earth is also not allowed.

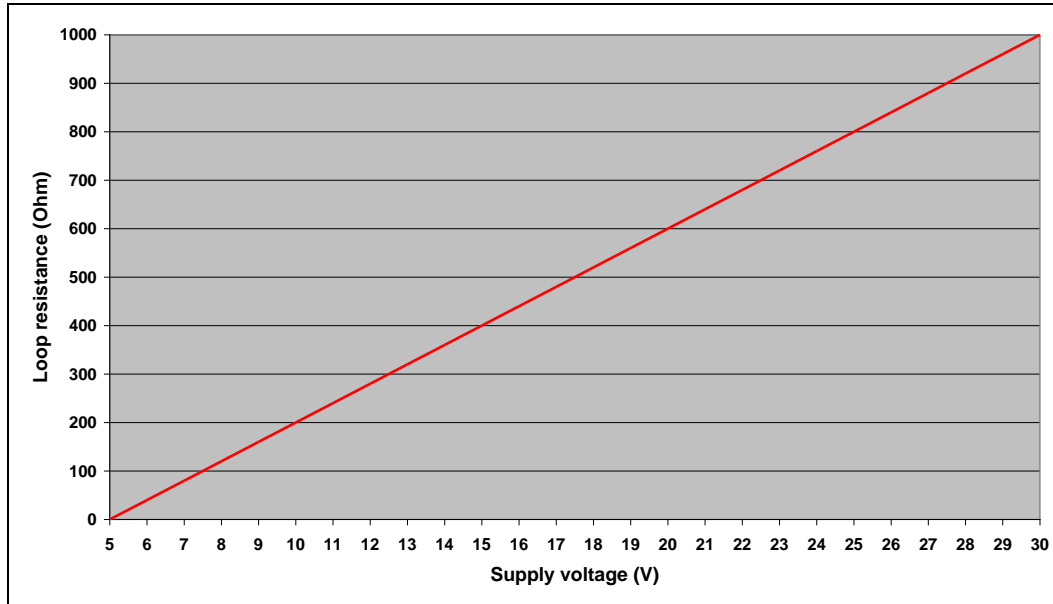
For a current measurement in the Power- (Loop+) line the following drawing.
The Shield should be connected to ground or GND.



The maximum loop impedance is 1000 Ω .

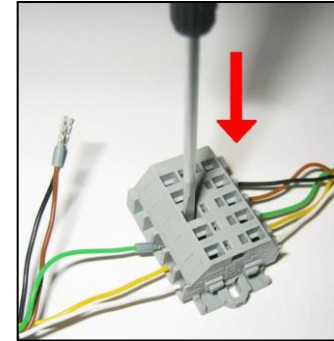
5.2 Maximum Loop Impedance [CSMA models]

The maximum impedance of the current loop depends on the supply voltage level:



5.3 Digital Mode

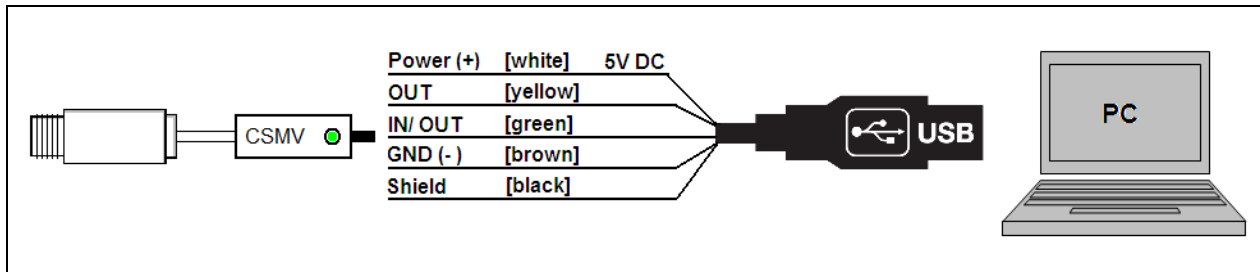
For a digital communication the optional IR app connector is required. Please connect each wire of the USB adapter cable with the same colored wire of the sensor cable by using the terminal block. Press with a screw driver as shown in the picture to loose a contact.



The sensor is offering two ways of digital communication:

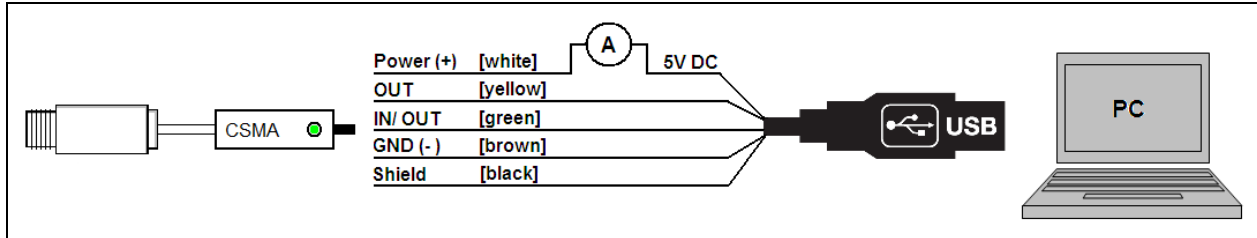
- bidirectional communication (sending and receiving data)
- unidirectional communication (burst mode – the sensor is sending data only)

Digital mode [CSMV]



Analog + Digital mode combined [CSMA]

The two-wire models are able to work in the digital mode and simultaneously as analog device (4-20 mA). In this case the sensor will be powered by the USB interface (5 V).



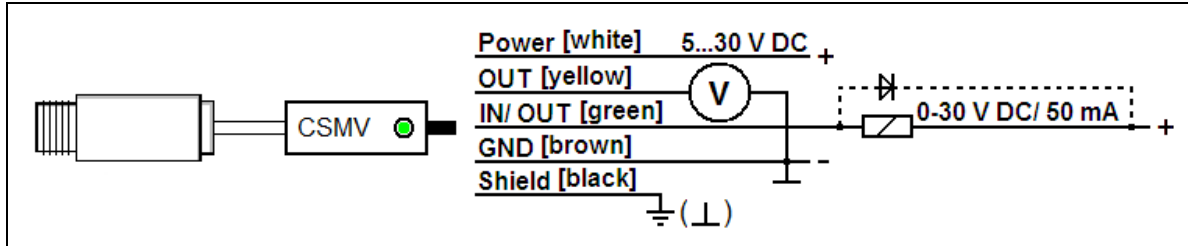
Direct connection to an RS232 interface on the computer

For a bidirectional RS232 connection of the sensor the following interface circuit can be used: MAX3381E (manufacturer: Maxim) ► **Appendix D – Direct Connection to an RS232 Interface:**

| Model | CSMV | CSMA |
|--------------------|-------|-------|
| UART voltage (RxD) | 3,3 V | 3,3 V |
| UART voltage (TxD) | 3,3 V | 2,5 V |

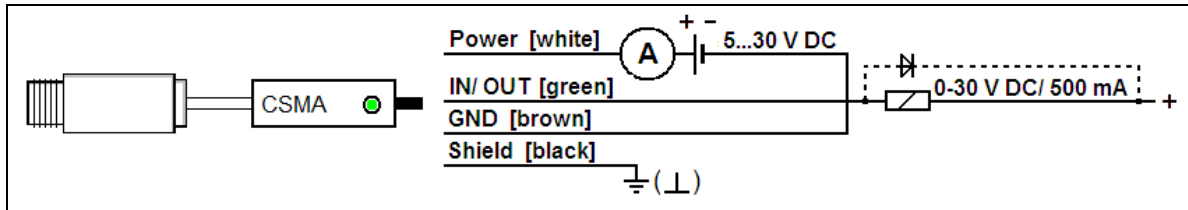
5.4 Alarm Output

Open collector output [CSMV]



The open collector output (NPN type) is an additional alarm output on the CSmicro and can control an external relay e.g. In addition the analog output can be used simultaneously.

Open collector output [CSMA]



6 IRmobile app

The CSmicro has a direct connection to an Android smartphone or tablet. All you have to do is download the IRmobile app for free in the Google Play Store. This can also be done via the QR code.



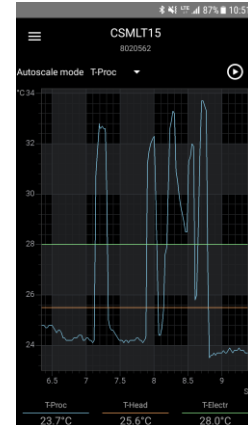
With IRmobile you are able to monitor and analyze your infrared temperature measurement on a connected smartphone or tablet. This app works on most Android devices running 4.4+ with a micro USB port supporting USB-OTG (On The Go). It is easy to operate: after you plug your CSmicro device to the micro USB port of your phone or tablet, the app will start automatically. The device is powered by your phone. Different digital temperature values can be displayed in the temperature time diagram. You can easily zoom-in the diagram to see more details and small signal changes.

IRmobile app features:

- Temperature time diagram with zoom function
- Digital temperature values
- Setup of emissivity, transmissivity and other parameters
- Scaling of 4-20 mA/ 0-10 V output and setup of alarm output
- Change of temperature unit: Celsius or Fahrenheit
- Saving/loading of configurations and T/t diagrams
- Restore factory default sensor settings
- Integrated simulator

Supported for:

- CSmicro IR thermometers (v3 models only)
- For android devices running 4.4+ with a micro USB port supporting USB-OTG (On The Go)



7 Software CompactConnect

7.1 Installation

The software can be downloaded under <https://www.optris.global/ir-app>. Unzip and open the program and start the **CDsetup.exe**. Follow the instructions of the wizard until the installation is finished.

The installation wizard will place a launch icon on the desktop and in the start menu: **[Start]\Programs\CompactConnect**.

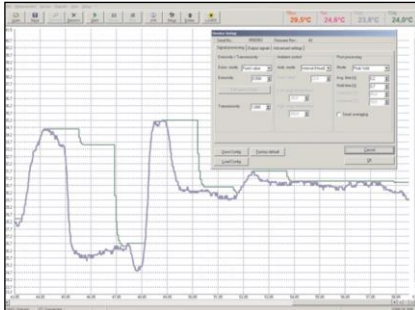
If you want to uninstall the software from your system please use the **uninstall icon** in the start menu.

Minimum system requirements:

- Windows 7, 8, 10
- USB interface
- Hard disc with at least 30 MByte free space
- At least 128 MByte RAM
- CD-ROM drive



A detailed description is provided in the software manual on the downloaded software package.



Main Features:

- Graphic display for temperature trends and automatic data logging for analysis and documentation
- Complete sensor setup and remote controlling
- Adjustment of signal processing functions
- Programming of outputs and functional inputs

7.2 Communication Settings

A command list is included in the software package and can be found under documentation.

Serial Interface

Baud rate: 9600 baud
Data bits: 8
Parity: none
Stop bits: 1
Flow control: off

Protocol

All sensors of the CSmicro series are using a binary protocol. To get a fast communication the protocol has no additional overhead with CR, LR or ACK bytes.

To power the sensor the control signal „DTR“ has to be set.

8 Basics of Infrared Thermometry

Depending on the temperature each object emits a certain amount of infrared radiation. A change in the temperature of the object is accompanied by a change in the intensity of the radiation. For the measurement of “thermal radiation” infrared thermometry uses a wave-length ranging between 1 μm and 20 μm .

The intensity of the emitted radiation depends on the material. This material contingent constant is described with the help of the emissivity which is a known value for most materials (► **9 Emissivity**).

Infrared thermometers are optoelectronic sensors. They calculate the surface temperature on the basis of the emitted infrared radiation from an object. The most important feature of infrared thermometers is that they enable the user to measure objects contactless. Consequently, these products help to measure the temperature of inaccessible or moving objects without difficulties. Infrared thermometers basically consist of the following components:

- lens
- spectral filter
- detector
- electronics (amplifier/ linearization/ signal processing)

The specifications of the lens decisively determine the optical path of the infrared thermometer, which is characterized by the ratio Distance to Spot size.

The spectral filter selects the wavelength range, which is relevant for the temperature measurement. The detector in cooperation with the processing electronics transforms the emitted infrared radiation into electrical signals.

9 Emissivity

9.1 Definition

The intensity of infrared radiation, which is emitted by each body, depends on the temperature as well as on the radiation features of the surface material of the measuring object. The emissivity (ϵ – Epsilon) is used as a material constant factor to describe the ability of the body to emit infrared energy. It can range between 0 and 100 %. A “blackbody” is the ideal radiation source with an emissivity of 1,0 whereas a mirror shows an emissivity of 0,1.

If the emissivity chosen is too high, the infrared thermometer may display a temperature value which is much lower than the real temperature – assuming the measuring object is warmer than its surroundings. A low emissivity (reflective surfaces) carries the risk of inaccurate measuring results by interfering infrared radiation emitted by background objects (flames, heating systems, chamottes). To minimize measuring errors in such cases, the handling should be performed very carefully and the unit should be protected against reflecting radiation sources.

9.2 Determination of unknown Emissivity

- ▶ First, determine the actual temperature of the measuring object with a thermocouple or contact sensor. Second, measure the temperature with the infrared thermometer and modify the emissivity until the displayed result corresponds to the actual temperature.
- ▶ If you monitor temperatures of up to 380 °C you may place a special plastic sticker (emissivity dots – part number: ACLSED) onto the measuring object, which covers it completely. Now set the emissivity to 0,95

and take the temperature of the sticker. Afterwards, determine the temperature of the adjacent area on the measuring object and adjust the emissivity according to the value of the temperature of the sticker.

- ▶ Cove a part of the surface of the measuring object with a black, flat paint with an emissivity of 0,98. Adjust the emissivity of your infrared thermometer to 0,98 and take the temperature of the colored surface. Afterwards, determine the temperature of a directly adjacent area and modify the emissivity until the measured value corresponds to the temperature of the colored surface.

CAUTION: On all three methods the object temperature must be different from ambient temperature.

9.3 Characteristic Emissivity

In case none of the methods mentioned above help to determine the emissivity you may use the emissivity tables ▶ **Appendix A – Emissivity Table Metals** and **Appendix B – Emissivity Table Non Metals**. These are average values only. The actual emissivity of a material depends on the following factors:

- temperature
- measuring angle
- geometry of the surface
- thickness of the material
- constitution of the surface (polished, oxidized, rough, sandblast)
- spectral range of the measurement
- transmissivity (e.g. with thin films)

Appendix A – Emissivity Table Metals

| Material | | typical Emissivity | | | |
|-------------------|------------------|--------------------|-------------------|-------------------|--------------------|
| | | 1,0 μm | 1,6 μm | 5,1 μm | 8-14 μm |
| Spectral response | | 1,0 μm | 1,6 μm | 5,1 μm | 8-14 μm |
| Aluminium | non oxidized | 0,1-0,2 | 0,02-0,2 | 0,02-0,2 | 0,02-0,1 |
| | polished | 0,1-0,2 | 0,02-0,1 | 0,02-0,1 | 0,02-0,1 |
| | roughened | 0,2-0,8 | 0,2-0,6 | 0,1-0,4 | 0,1-0,3 |
| | oxidized | 0,4 | 0,4 | 0,2-0,4 | 0,2-0,4 |
| Brass | polished | 0,35 | 0,01-0,05 | 0,01-0,05 | 0,01-0,05 |
| | roughened | 0,65 | 0,4 | 0,3 | 0,3 |
| | oxidized | 0,6 | 0,6 | 0,5 | 0,5 |
| Copper | polished | 0,05 | 0,03 | 0,03 | 0,03 |
| | roughened | 0,05-0,2 | 0,05-0,2 | 0,05-0,15 | 0,05-0,1 |
| | oxidized | 0,2-0,8 | 0,2-0,9 | 0,5-0,8 | 0,4-0,8 |
| Chrome | | 0,4 | 0,4 | 0,03-0,3 | 0,02-0,2 |
| Gold | | 0,3 | 0,01-0,1 | 0,01-0,1 | 0,01-0,1 |
| Haynes | alloy | 0,5-0,9 | 0,6-0,9 | 0,3-0,8 | 0,3-0,8 |
| Inconel | electro polished | 0,2-0,5 | 0,25 | 0,15 | 0,15 |
| | sandblast | 0,3-0,4 | 0,3-0,6 | 0,3-0,6 | 0,3-0,6 |
| | oxidized | 0,4-0,9 | 0,6-0,9 | 0,6-0,9 | 0,7-0,95 |
| Iron | non oxidized | 0,35 | 0,1-0,3 | 0,05-0,25 | 0,05-0,2 |
| | rusted | | 0,6-0,9 | 0,5-0,8 | 0,5-0,7 |
| | oxidized | 0,7-0,9 | 0,5-0,9 | 0,6-0,9 | 0,5-0,9 |
| | forged, blunt | 0,9 | 0,9 | 0,9 | 0,9 |
| | molten | 0,35 | 0,4-0,6 | | |
| Iron, casted | non oxidized | 0,35 | 0,3 | 0,25 | 0,2 |
| | oxidized | 0,9 | 0,7-0,9 | 0,65-0,95 | 0,6-0,95 |

| Material | | typical Emissivity | | | |
|--------------------------|----------------|--------------------|-------------------|-------------------|--------------------|
| | | 1,0 μm | 1,6 μm | 5,1 μm | 8-14 μm |
| Spectral response | | | | | |
| Lead | polished | 0,35 | 0,05-0,2 | 0,05-0,2 | 0,05-0,1 |
| | roughened | 0,65 | 0,6 | 0,4 | 0,4 |
| | oxidized | | 0,3-0,7 | 0,2-0,7 | 0,2-0,6 |
| Magnesium | | 0,3-0,8 | 0,05-0,3 | 0,03-0,15 | 0,02-0,1 |
| Mercury | | | 0,05-0,15 | 0,05-0,15 | 0,05-0,15 |
| Molybdenum | non oxidized | 0,25-0,35 | 0,1-0,3 | 0,1-0,15 | 0,1 |
| | oxidized | 0,5-0,9 | 0,4-0,9 | 0,3-0,7 | 0,2-0,6 |
| Monel (Ni-Cu) | | 0,3 | 0,2-0,6 | 0,1-0,5 | 0,1-0,14 |
| Nickel | electrolytic | 0,2-0,4 | 0,1-0,3 | 0,1-0,15 | 0,05-0,15 |
| | oxidized | 0,8-0,9 | 0,4-0,7 | 0,3-0,6 | 0,2-0,5 |
| Platinum | black | | 0,95 | 0,9 | 0,9 |
| Silver | | 0,04 | 0,02 | 0,02 | 0,02 |
| Steel | polished plate | 0,35 | 0,25 | 0,1 | 0,1 |
| | rustless | 0,35 | 0,2-0,9 | 0,15-0,8 | 0,1-0,8 |
| | heavy plate | | | 0,5-0,7 | 0,4-0,6 |
| | cold-rolled | 0,8-0,9 | 0,8-0,9 | 0,8-0,9 | 0,7-0,9 |
| | oxidized | 0,8-0,9 | 0,8-0,9 | 0,7-0,9 | 0,7-0,9 |
| Tin | non oxidized | 0,25 | 0,1-0,3 | 0,05 | 0,05 |
| Titanium | polished | 0,5-0,75 | 0,3-0,5 | 0,1-0,3 | 0,05-0,2 |
| | oxidized | | 0,6-0,8 | 0,5-0,7 | 0,5-0,6 |
| Wolfram | polished | 0,35-0,4 | 0,1-0,3 | 0,05-0,25 | 0,03-0,1 |
| Zinc | polished | 0,5 | 0,05 | 0,03 | 0,02 |
| | oxidized | 0,6 | 0,15 | 0,1 | 0,1 |

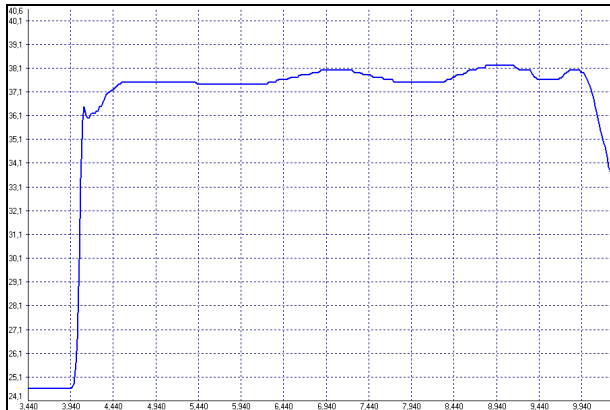
Appendix B – Emissivity Table Non Metals

| Material | | typical Emissivity | | | |
|---------------------------|-----------------|--------------------|-------------------|-------------------|--------------------|
| | | 1,0 μm | 2,2 μm | 5,1 μm | 8-14 μm |
| Spectral response | | | | | |
| Asbestos | | 0,9 | 0,8 | 0,9 | 0,95 |
| Asphalt | | | | 0,95 | 0,95 |
| Basalt | | | | 0,7 | 0,7 |
| Carbon | non oxidized | | 0,8-0,9 | 0,8-0,9 | 0,8-0,9 |
| | graphite | | 0,8-0,9 | 0,7-0,9 | 0,7-0,8 |
| Carborundum | | | 0,95 | 0,9 | 0,9 |
| Ceramic | | 0,4 | 0,8-0,95 | 0,8-0,95 | 0,95 |
| Concrete | | 0,65 | 0,9 | 0,9 | 0,95 |
| Glass | plate | | 0,2 | 0,98 | 0,85 |
| | melt | | 0,4-0,9 | 0,9 | |
| Grit | | | | 0,95 | 0,95 |
| Gypsum | | | | 0,4-0,97 | 0,8-0,95 |
| Ice | | | | | 0,98 |
| Limestone | | | | 0,4-0,98 | 0,98 |
| Paint | non alkaline | | | | 0,9-0,95 |
| Paper | any color | | | 0,95 | 0,95 |
| Plastic >50 μm | non transparent | | | 0,95 | 0,95 |
| Rubber | | | | 0,9 | 0,95 |
| Sand | | | | 0,9 | 0,9 |
| Snow | | | | | 0,9 |
| Soil | | | | | 0,9-0,98 |
| Textiles | | | | 0,95 | 0,95 |
| Water | | | | | 0,93 |
| Wood | natural | | | 0,9-0,95 | 0,9-0,95 |

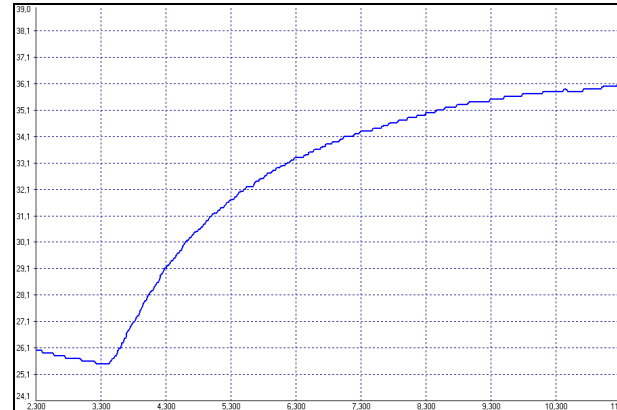
Appendix C – Smart Averaging

The average function is generally used to smoothen the output signal. With the adjustable parameter time this function can be optimal adjusted to the respective application. One disadvantage of the average function is that fast temperature peaks which are caused by dynamic events are subjected to the same averaging time. Therefore those peaks can only be seen with a delay on the signal output.

The function **Smart Averaging** eliminates this disadvantage by passing those fast events without averaging directly through to the signal output.

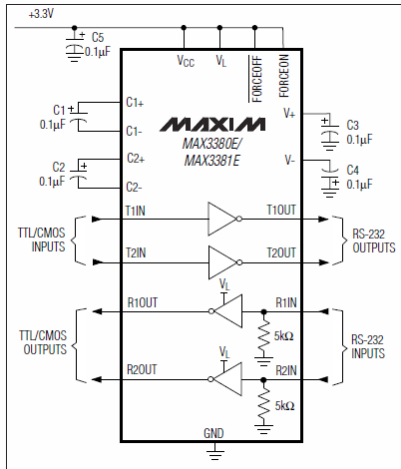


Signal graph with Smart Averaging function



Signal graph without Smart Averaging function

Appendix D – Direct Connection to an RS232 Interface



CSM connections:

TxD (yellow) to T1IN
 RxD (green) to R1OUT
 GND (brown) to GND

PC connections:

connect T1OUT with RxD (PC)
 connect R1IN with TxD (PC)

Appendix E – Declarations of Conformity

EG-Konformitätserklärung EU Declaration of Conformity



Wir / We

Optris GmbH
Ferdinand Buisson Str. 14
D-13127 Berlin

erklären in alleiniger Verantwortung, dass
declare on our own responsibility that

die Produktserie optris CSmicro
the product group optris CSmicro

den Anforderungen der EMV-Richtlinie 2014/30/EU und der Niederspannungsrichtlinie 2014/35/EU
entspricht.

meets the provisions of the EMC Directive 2014/30/EU and the Low Voltage Directive 2014/35/EU.

Angewandte harmonisierte Normen:
Applied harmonized standards:

EMV-Anforderungen / EMC General Requirements:

EN 61326-1:2013 (Grundlegende Prüfanforderungen / Basic requirements)

EN 61326-2-3:2013

Gerätesicherheit von Messgeräten / Safety of measurement devices:

EN 61010-1:2010

EN 60825-1:2015 (Lasersicherheit / Laser safety)

Dieses Produkt erfüllt die Vorschriften der Richtlinie 2011/65/EU (RoHS) des Europäischen Parlaments und des Rates vom 8. Juni 2011 zur Beschränkung der Verwendung bestimmter gefährlicher Stoffe in Elektro- und Elektronikgeräten.

This product is in conformity with Directive 2011/65/EU (RoHS) of the European Parliament and of the Council of 8 June 2011 on the restriction of the use of certain hazardous substances in electrical and electronic equipment.

Berlin, 04.11.2015

Ort, Datum / place, date



Dr. Ulrich Kienitz
Geschäftsführer / General Manager

optris CSmicro-MA-E2018-05-A